

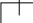


SOMBRANO® S<sup>+</sup>  
The flagship parasol





## Assortment

	Nominal size without flounce	Number of ribs	Order no. Frame anodised natural	Order no. Frame anthracite
	cm			
	Ø 350	8 parts	085 00 350 171	085 00 350 301
	Ø 400	8 parts	085 00 400 171	085 00 400 301
	300×300	8 parts	085 00 310 171	085 00 310 301
	350×350	8 parts	085 00 351 171	085 00 351 301
	400×300	8 parts	085 00 402 171	085 00 402 301

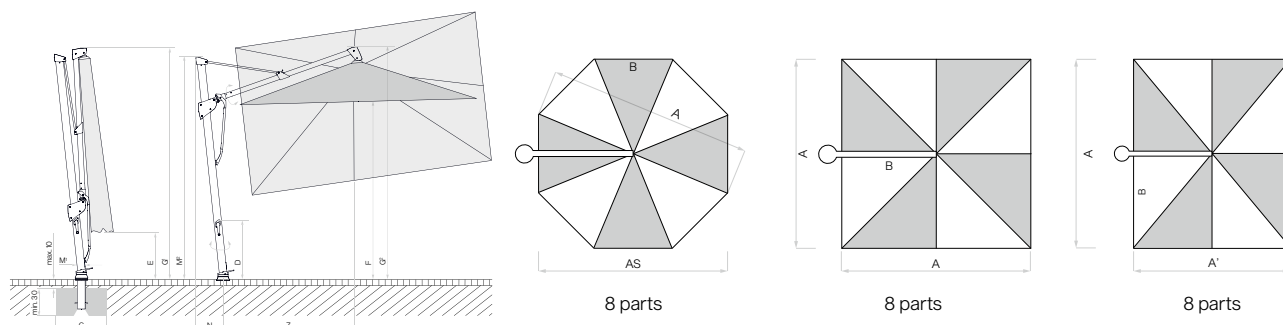
Nominal size	Lateral distance	Mast Ø	Area covered	Crank height	Height closed	Clear headroom	Tolerance clear headroom open	Total height/	Height of mast	Overhang at the back	Length of free-arm	Found-ation	Minimum weight for base	max. wind speed open perm.
cm	cm	cm	m <sup>2</sup>	cm	cm	cm	cm	cm	cm	cm	cm	cm	kg	km/h (Bft.)
A	AS	M <sup>1</sup>	B	D	E	F		G <sup>1</sup> /G <sup>2</sup>	M <sup>2</sup>	N	Z	C		
Ø 350	325	6.6×9.5	9.6	69	90	205	9.1	285/285	275	33	165	60×60	120	45 (6)
Ø 400	370	6.6×9.5	12.6	69	85	210	9.2	300/295	275	33	185	60×60	180	35 (5)
300×300	-	6.6×9.5	9	69	55	215	9.3	285/285	275	33	165	60×60	120	45 (6)
350×350	-	6.6×9.5	12.2	69	40	215	9.3	300/295	275	33	185	60×60	180	35 (5)
400×300	-	6.6×9.5	12	69	35	210	9.2	300/295	275	33	185	60×60	180	35 (5)

The listed measures represent extrapolated average values that may be slightly different on the product ( $\pm 2\% \pm 5$  cm).

The height dimensions are based on the ground socket M4. With the base M4, 120 kg these vary by plus 11.5 cm and with the base M4, 180 kg by plus 15.5 cm. With the natural granite base, 120 kg these vary by plus 9.5 cm and with the natural granite base with set of castors by plus 14 cm.

The max. wind speed limits as per our separate sheet apply only if the parasol canopy is in a horizontal position and if there is a fix ground anchorage. A base with the specified minimum weight is not sufficient.

In the presence of several parasols, the minimum distance between one parasol and another and between parasols and walls shall be 20 cm.



Loose cover max. 10 cm, concrete  
thickness min. 30 cm (pay attention to  
frost depth), Guarantee water  
drainage

## Accessories

**Absolutely  
necessary**

**Order no.**

### Protective cover made of coated, tear-resistant polyester fabric

1	Protective cover with zip and rod for the Sombrano, Ø 350, 300 × 300 cm		350 01 221 492
	5 pieces, protective cover with zip and rod for the Sombrano, Ø 350, 300 × 300 cm		350 01 221 493
1	Protective cover with zip and rod for the Sombrano, Ø 400, 400 × 300, 350 × 350 cm		350 01 221 502
	5 pieces, protective cover with zip and rod for the Sombrano, Ø 400, 400 × 300, 350 × 350 cm		350 01 221 503
<b>Electrical accessories</b>			
2	OSYRION Spot LED battery-powered light, set of 2, with remote control, including charger		350 01 563 000
3	OSYRION Spot LED battery-powered light, set of 4, with remote control, including charger		350 01 563 100

## Fixations

### Ground sockets

4	Ground socket M4, hot-dip galvanised steel		350 01 226 510
---	--	--	----------------

### Mounting plates

5	Mounting plate M4 / M8, 30 × 30 × 1.5 cm, hot-dip galvanised steel		350 01 226 921
6	Mounting plate M4 special, for installation height 50–149 mm, hot-dip galvanised steel		350 01 226 932
7	Mounting plate M4 special, for installation height 150–350 mm, hot-dip galvanised steel		350 01 226 930
8	Mounting plate M4 for high insulation (50–350 mm), installation height (50–350 mm) made to measure, hot-dip galvanised steel <small>NEW</small>		350 01 222 510

### Wall consoles

9	Wall console M4, extension 480 mm, hot-dip galvanised steel		350 01 229 405
10	Wall console M4, extension 100 mm, hot-dip galvanised steel		350 01 229 410



1 2 3 4 5 6 7 8 9 10  
11 12 13 14 15 16 17 18 19

Fixations	Absolutely necessary	Order no.
<b>Bases</b>		
11 Base frame M4, 120 kg, (for 8 plates 40×40×4 cm), 91×91×11.5–15.5 cm, hot-dip galvanised steel, adjustable and levellable (price without plates)		350 01 108 235
Slab set, 8 pieces, 40×40×4 cm, (approx. 110 kg), concrete		350 01 226 908
Slab set, 8 pieces, 40×40×4 cm, (approx. 115 kg), 4 pieces concrete, 4 pieces in granite-look		350 01 226 909
12 Cover for M4 base 120 kg, 96×96×11.5 cm, plastic ABS coated, anodised aluminium look		350 01 100 617
13 Cover for M4 base 120 kg, 96×96×11.5 cm, plastic ABS coated, anthracite		350 01 100 630
11 Base frame M4, 180 kg, (for 12 plates 40×40×4 cm), 91×91×15.5–19.5 cm, hot-dip galvanised steel, adjustable and levellable (price without plates)		350 01 108 335
Slab set, 12 pieces, 40×40×4 cm, (approx. 165 kg), concrete		350 01 226 907
Slab set, 12 pieces, 40×40×4 cm, (approx. 170 kg), 8 pieces concrete, 4 pieces in granite-look		350 01 226 906
12 Cover for M4 base 180 kg, 96×96×15 cm, plastic ABS coated, anodised aluminium look		350 01 100 717
13 Cover for M4 base 180 kg, 96×96×15 cm, plastic ABS coated, anthracite		350 01 100 730
<sup>3.6</sup> Set of castors for base M4 120 kg / 180 kg, (maximum weight 240 kg), Ø 5 cm, H = 5.5 cm, galvanised steel		350 01 100 500
14 Natural granite base M4, 120 kg, 87 x 87 x 9.5 cm, natural stone <b>NEW</b>		350 01 109 495
15 <sup>3</sup> Set of castors for natural granite base Z, 40/55/90 kg / M4, 120 kg, Ø 5 cm, galvanised steel <b>NEW</b>		350 01 109 487
15 <sup>3.8</sup> Set of castors for natural granite base Z, 40/55/90 kg / M4, 120 kg, Ø 5 cm, high-grade steel 1.4301 / 304 <b>NEW</b>		350 01 109 486
<b>Bases with castors</b>		
16 <sup>3.7</sup> Base frame with castors M4, 120 kg, 80 × 80 × 14.6 cm, hot-dip galvanised steel, white RAL 9016, frame approx. 30 kg (without decorative plate)	Weight Set + Decorative plate	350 01 113 610
17 <sup>3.7</sup> Base frame with castors M4, 120 kg, 80 × 80 × 14.6 cm, hot-dip galvanised steel, anthracite RAL 7016, frame approx. 30 kg (without decorative plate)	Weight Set + Decorative plate	350 01 113 620
Weight Set for base with castors M4, 120 kg, 4 pieces, concrete, (Weight Set approx. 90 kg)		350 01 110 500
18 Decorative plate in grey white RAL 9002 for base with castors M4, 120 kg, aluminium composite		350 01 113 710
19 Decorative plate in anthracite RAL 7016 for base with castors M4, 120 kg, aluminium composite		350 01 113 720
16 <sup>3.7</sup> Base frame with castors M4, 180 kg, 94 × 94 × 14.6 cm, hot-dip galvanised steel, white RAL 9016, frame approx. 30 kg (without decorative plate)	Weight Set + Decorative plate	350 01 113 810
17 <sup>3.7</sup> Base frame with castors M4, 180 kg, 94 × 94 × 14.6 cm, hot-dip galvanised steel, anthracite RAL 7016, frame approx. 30 kg (without decorative plate)	Weight Set + Decorative plate	350 01 113 820
Weight Set for base with castors M4, 180 kg, 4 pieces, concrete, (Weight Set approx. 150 kg)		350 01 110 800
18 Decorative plate in grey white RAL 9002 for base with castors M4, 180 kg, aluminium composite		350 01 113 910
19 Decorative plate in anthracite RAL 7016 for base with castors M4, 180 kg, aluminium composite		350 01 113 920

<sup>1</sup> while stocks last

<sup>3</sup> only suitable for smooth, joint free surface coverings

<sup>6</sup> Not suitable for cover for M4 base

<sup>7</sup> 120 kg / 180 kg: Ground clearance 13 mm

<sup>8</sup> suitable for corrosive environments



<b>Frame</b>	<p>8 parts</p> <p>Mast profile oval 66 × 95 × 3 mm</p> <p>Crank drive for opening and closing</p> <p>Roof pitch in both directions up to 54° using a comfort crank</p> <p>Ball-bearing turnable base with pedal for 360° rotation</p> <p>Crank housing, trolley, support arm guide and head made from die-cast aluminium</p> <p>Screws and rivets made from stainless steel</p> <p>Canopy self-tensing through flexible rib ends</p> <p>Frame roof: round, square, rectangular</p>
<b>Frame colour</b>	Aluminium, anodised or anthracite powder-coated (RAL 7016)
<b>Canopy</b>	<p>Fabric Quality 5: polyacrylic, 300 g/m<sup>2</sup>, UV protection &gt; 98 %</p> <p>Fabric Quality 4: polyester, 250 g/m<sup>2</sup>, UV protection &gt; 98 %</p> <p>Fabric Quality 2: polyester, 220 g/m<sup>2</sup>, UV protection &gt; 98 %, (only in anthracite frame)</p>
<b>Flounce</b>	Only available without
<b>Protective cover</b>	Included in delivery
<b>Electrical accessories</b>	Osyrion Spot LED with integrated battery pack



Usage locations



Type of fastening



SOMBRANO® S+  
Int. Patents reg. © Int. Design reg.

Valid from 1.1.2025  
glatz.com